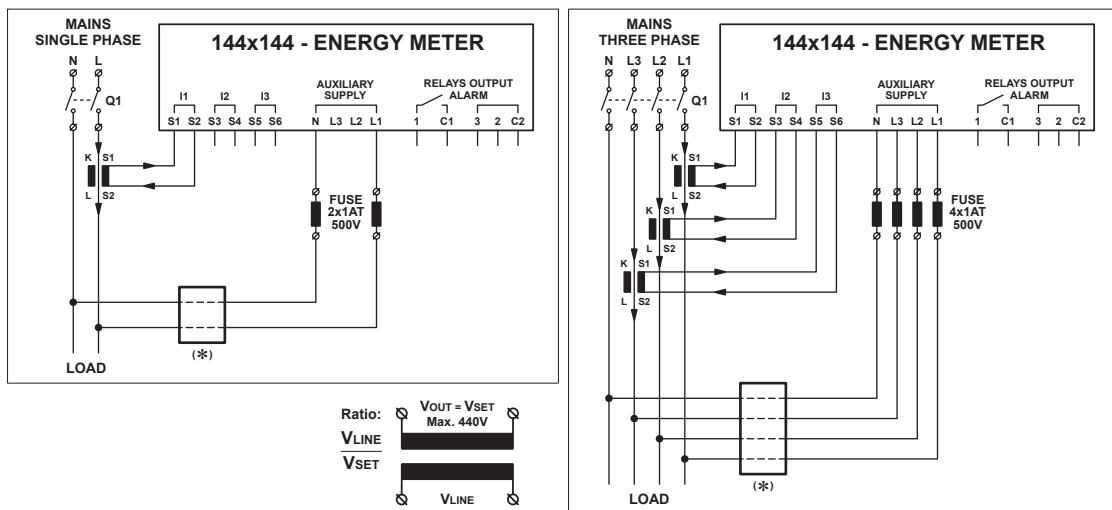
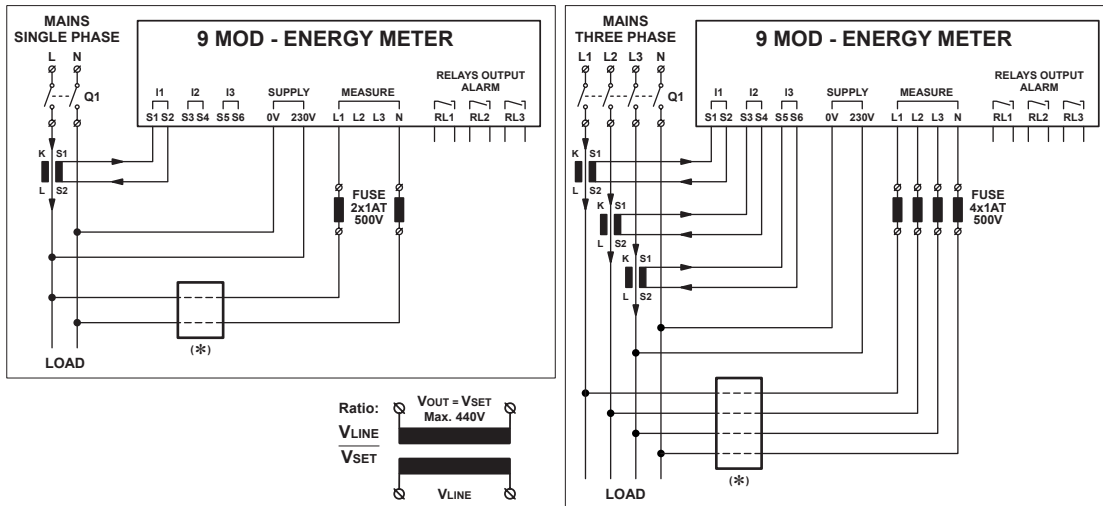


Three Phase Network Analyzer (ENA3, ENA3D)

Technical data		ENA3	ENA3D
Specifications:			
Supply voltage AC ±10%	V ~	3x400 + N	230 L/N
Nominal Frequency	Hz	50 - 60 (range: 45 - 65)	
Power consumption (max. AC)	VA	4	
Rated Current (CT)	A	5/1...50000	
Immunity Time For Microbreakings	ms	< 50ms	
Display Type	-	3 Display - 4 Digit - 7 Segment	
Measuring Type			
Measuring Type	-	True RMS	
Cosφ (L/L)	-	0.00 ... 1.00 ±1%	
Voltage (N/Lx)	VA ~	100 ... 280 ±1%	
Voltage (L/L)	VA ~	180 ... 490 ±1%	
Current (CT)	A	0.05 ... 5.5 ± 0.5%	
Active Power (Lx)	W	Class 1	
Reactive Power (Lx)	VAR	Class 1	
Apparent Power (Lx)	VA	Class 1	
THD of Volt or Current	%	0 ... 255	
Work Hours	h	0 to 9999 (with multiplier)	
Ambient Temperature	°C	0°C...+60°C (/ °F)	
Working temperature			
Working temperature	°C	-20 ... +60	
Storage temperature	°C	-30 ... +70	
Electrical Insulation	kV	4	
Overvoltage Category	-	II	
Protection degree	IP	41 Front Cover - 20 Terminal Block	
Pollution degree	-	2	
Relative Humidity w/o cond.	%	95	
Altitude up to	m	2000	
Weight	g	680	550
Dimensions	mm	149 x 149 x 60	157 x 89 x 60
Standards	-	2006/95/EC - Low Voltage, 2004/108/EC - EMC	

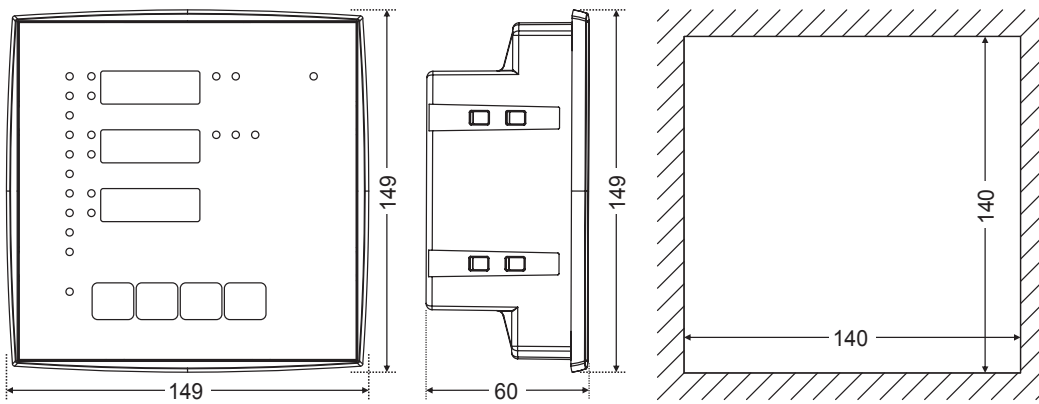
Wiring Diagrams





Dimensions

144x144 (mm)



9 MOD (mm)

